

mHPT Explosion-proof signal horn

- Loud, well-designed, explosion-proof electromechanical signal horn with typical horn tone
- Certified for gas hazardous areas of zone 1, 2
- Encapsulation
- Impact-resistant polycarbonate housing
- Degree of protection IP 54
- Insulation class II
- Available in all standard supply voltages
- Max. 108 dB (A) in 1 m

II 2 G Ex e mb II T5

-20 °C ≤ Ta ≤ +50 °C (AC-Mod.)

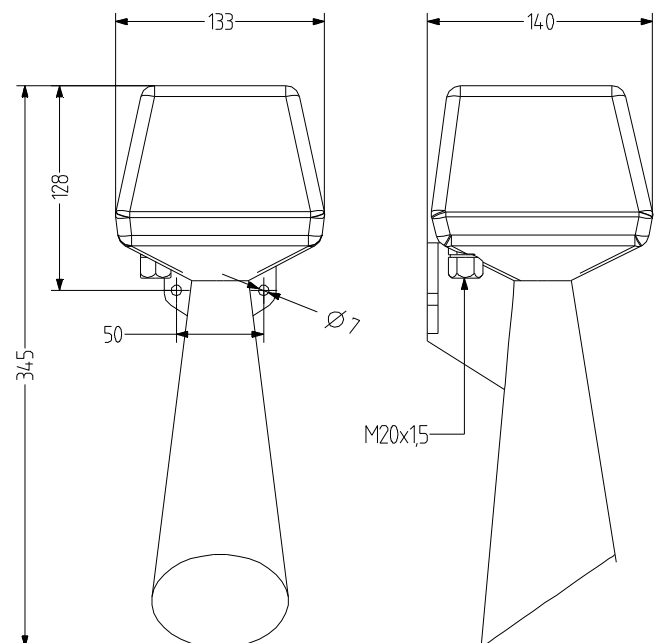
-20 °C ≤ Ta ≤ +60 °C (DC-Mod.)

Zone 1, 2



TECHNICAL DATA

Housing	Polycarbonate black (RAL 9005)
Type of mounting	Sound outlet opening at bottom
Cable entry	Cable entry M20 × 1.5
Connection technology	bis 2,5 mm ²
Tone	typical signal horn tone
Volume	108 dB
Duty cycle	75 %
Operating temperature	-20 °C / +60 °C-20 °C / +60 °C (DC) -20 °C / +50 °C (AC)
Degree of protection	IP54
Insulation class	II
Weight	500 g
Drive system	non-polarised electromagnet, tappet strikes the membranes between 100 and 120 times/sec; DC with electrical contact breaker



mHPT

ORDER DATA

Nominal voltage	Voltage range (V)	Nominal current (A)	Order number
24 V DC	+ 10 %/- 15 %	0,300	301 100 005
115 V AC	+ 10 %/- 15 %	0,150	301 100 110
230 V AC	+ 10 %/- 15 %	0,070	301 100 113

